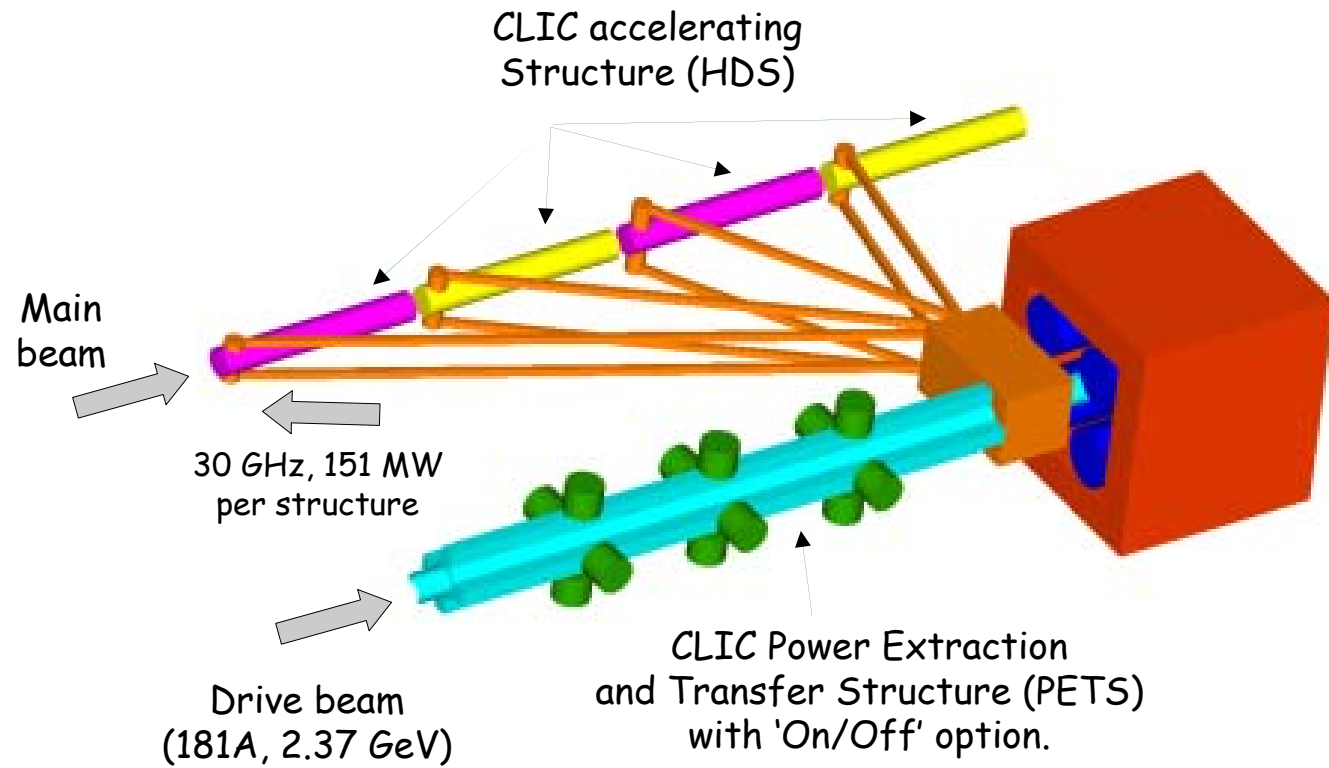
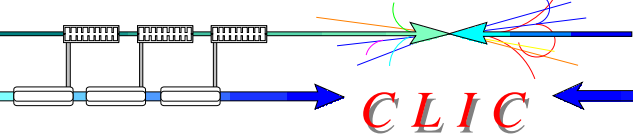


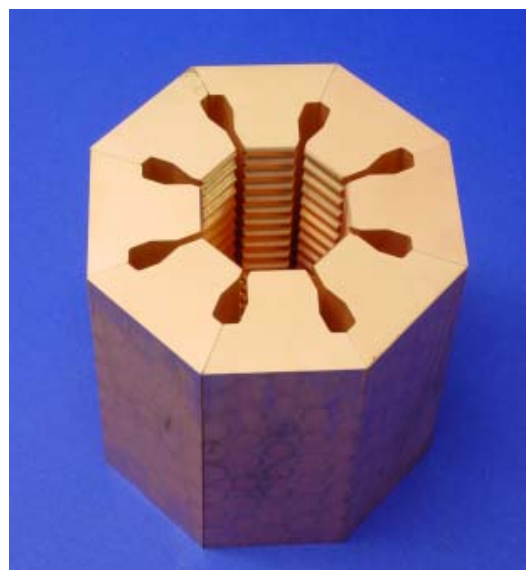
CLIC Power Extraction and Transfer Structure.





PETS parameters:

$F = 29.9855 \text{ GHz}$
 Aperture = 22.5 mm
 $R/Q = 320.2 \text{ Ohm/m}$
 $\text{Beta} = 0.798 \text{ C}$
 $\Delta\phi/\text{cell} = 140^\circ$
 $I_{\text{Drive beam}} = 181 \text{ A}$
 Bunch spacing: 0.667 ns
 q/bunch: 12.1 nC
 Beam energy (init). = 2.37 GeV
 RF power = 642 MW
 Active length = 0.6 m
 Total length = 0.77 m
 Damping slots: 8 x 2 mm
 Ext. efficiency: 94%



PETS architecture

